

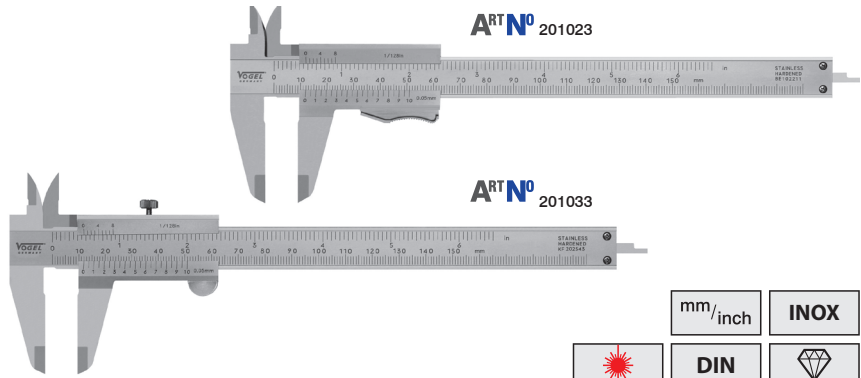
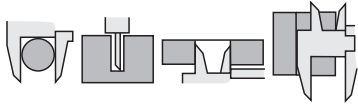
Precision Pocket Vernier Calipers

Precision Pocket Vernier Caliper

DIN 862

- professional standard caliper

- stainless steel, hardened
- reading in mm/inch, scale laser engraved
- reading satin chrome finish
- jaws fine ground and lapped
- mono-block vernier
- flat depth gauge



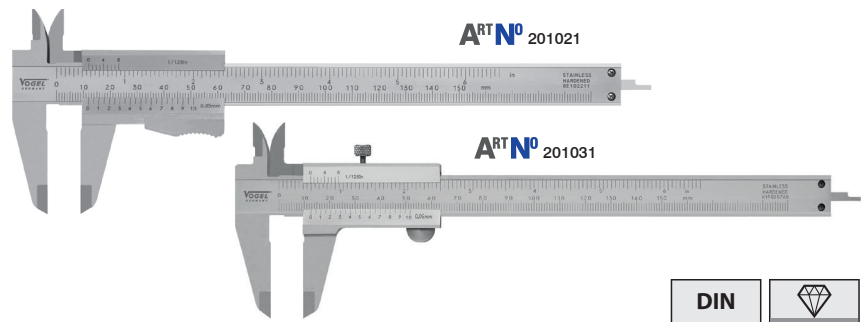
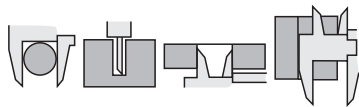
| ART No | type | mm / inch | mm bottom | inch top | mm | mm | | CC |
|--------|---------------|-----------|-----------|----------|----|----|------|------------|
| 201023 | thumb locking | 150 / 6 | 0.05 | 1/128 | 40 | 16 | flat | on request |
| 201033 | fixing screw | 150 / 6 | 0.05 | 1/128 | 40 | 16 | flat | on request |

Pocket Vernier Caliper

DIN 862

- standard caliper

- stainless steel, hardened
- reading in mm/inch, scale laser engraved
- reading satin chrome finish
- jaws fine ground and lapped
- mono-block vernier
- flat or round depth gauge



| ART No thumb locking | ART No fixing screw | mm / inch | mm bottom | inch top | mm | mm | | CC |
|-------------------------|------------------------|-----------|-----------|----------|-------|-------|-------|------------|
| 201021 | 201031 | 150 / 6 | 0.05 | 1/128 | 40 | 16 | flat | on request |
| 201022 | 201032 | 150 / 6 | 0.05 | 1/128 | 40 | 16 | round | on request |
| 201024 | 201034 | 200 / 8 | 0.05 | 1/128 | 50 | 19 | flat | on request |
| 201025 | 201035 | 150 / 6 | 0.02 | 1/1000 | 40 | 16 | flat | on request |
| 201026 | 201036 | 200 / 8 | 0.02 | 1/1000 | 40/50 | 16/19 | flat | on request |
| — | 201038 | 200 / 8 | 0.05 | 1/128 | 40 | 16 | round | on request |
| — | 201013 | 300 / 12 | 0.05 | 1/128 | 60 | 20 | flat | on request |
| — | 201015 | 300 / 12 | 0.02 | 1/1000 | 64 | 20 | flat | on request |

Did you already know?

Join us for success is now
Measuring Solutions

The new slogan stands for even more
Service, Solutions and Consulting.

